

YAMAHA NS-50

Natural Sound 3-way, 4-speaker Bass Reflex Speaker System

Thank you for selecting this Yamaha NS-50 speaker system.

PRECAUTIONS

Read these precautions carefully before using your speaker.

- Any time you note distortion, reduce the volume control on your amplifier to a lower setting. Never allow your amplifier to be driven into "clipping". Otherwise the speaker may be damaged.
- When using an amplifier with a rated output power higher than the nominal input power of the speaker, care should be taken never to exceed the speaker's maximum input.
- Do not attempt to clean the speaker with chemical solvents as this might damage the finish. To clean, wipe with a dry, soft cloth.

- To prevent the enclosure from warping or discoloring, do not place the speaker where it will be exposed to direct sunlight or excessive humidity.
- Do not place the speaker where it is liable to be knocked over or struck by falling objects. Stable placement will also ensure better sound performance.
- Placing the speaker on the same shelf or rack as the turntable can result in feedback.
- **Secure placement or installation is the owner's responsibility.**
YAMAHA shall not be liable for any accident caused by improper placement or installation of the speaker.

CONNECTION TO YOUR AMPLIFIER

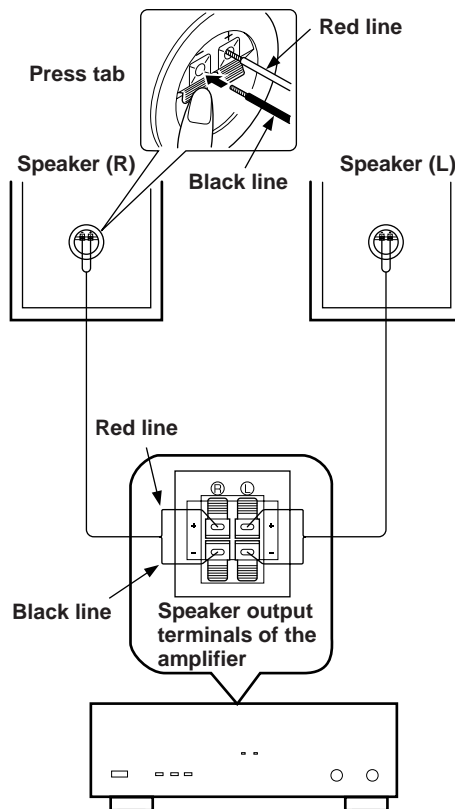
BEFORE MAKING CONNECTIONS, MAKE SURE THAT THE AMPLIFIER IS SWITCHED OFF.

■ CONNECTIONS

- Connect the push-type input terminals at the rear of the speakers to the speaker output terminals of your amplifier with the provided speaker cables.
- One side of the speaker cable is red and the other side is black. Connect the (+) terminals on both the amplifier and the speakers using this red side. Connect the (-) terminals on both components using the black side of the cable.
- Connect one speaker to the left (marked L) terminals of your amplifier, and another speaker to the right (marked R) terminals, making sure not to reverse the polarity (+, -). If one speaker is connected with reversed polarity, the sound will be unnatural and lack bass.

Procedures:

- ① Press the tab on the terminal down, as shown in the figure.
- ② Insert the bare speaker wire end properly into the terminal hole. [Remove approx. 5 mm (1/4") insulation from the speaker cable.]
- ③ Remove your finger from the tab to allow it to lock snugly on the cable's wire end.
- ④ Test the security of the connection by tugging lightly on the cable at the terminal.

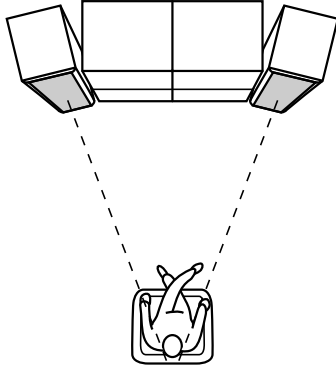


Note

Do not let the bare speaker wires touch each other as this could damage the speaker and/or the amplifier.

PLACING THE SPEAKER

- Place the speakers on a sturdy, vibration-free surface. If you cannot obtain good bass quality when the speakers are placed directly on the floor, insert a block etc. between the speakers and the floor.
- Better stereo images will be obtained when the speakers are slightly angled in towards the listeners.

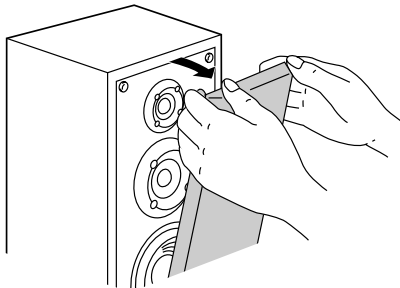


Note

Because this speaker is not a magnetic shielding type, there may be some influence on a TV picture depending on the type of TV or the placement of the speaker. In such a case, place the speaker apart from the TV so that there is no influence on TV picture.

REMOVING THE FRONT COVER

The front cover is fastened to the enclosure at four points, and can be removed if desired. To remove the cover, hold on to both sides and slowly pull straight away from the speaker. To reattach, line up the four pegs on the inside surface of the cover with the four corresponding holes on the speaker and push gently.



Note

When the cover is removed, take care not to touch the speaker units with your hands or to exert excessive force with tools.

SPECIFICATIONS

Type	3-way 4-speaker bass reflex speaker system
Speaker Unit.....	20 cm cone woofer x 2 10 cm cone midrange 5 cm cone tweeter
Input Terminal	Push-type
Nominal Impedance	6 ohms
Frequency Response	40 Hz – 20 kHz
Nominal Input Power	70W
Music Input Power	250W
Sensitivity	90 dB/w/m
Crossover Frequency	700 Hz, 4 kHz
Dimensions (WxHxD).....	280 x 900 x 285 mm (11" x 35-7/16" x 11-1/4")
Weight.....	13.7 kg (30 lbs. 4 oz.)
Accessories	Speaker cable (4m) x 2

* Specifications subject to change without notice due to product improvements.

* Care should be taken not to exceed the input power values noted above.